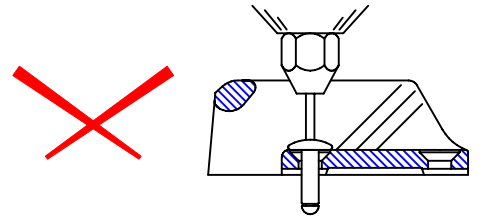
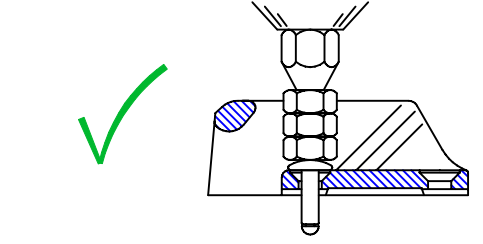


Notes: -
For marine applications, use a silicone sealant or a bedding compound to avoid electrolytic action between the cleat and metal fastenings.

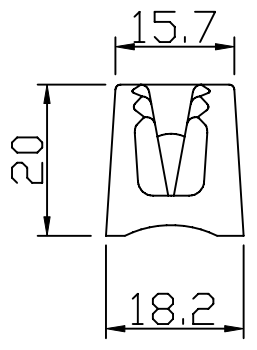
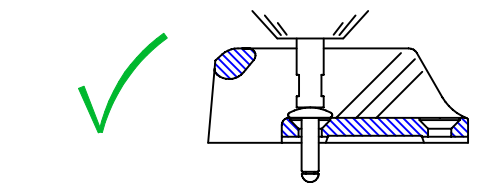
Standard rivet gun nozzles do not fit inside cleat.



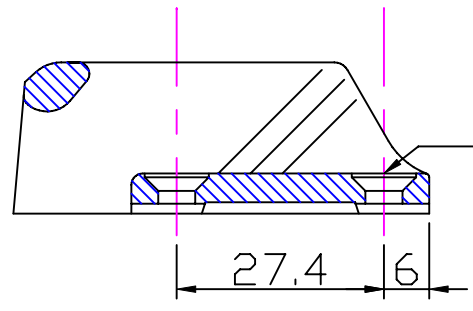
Use 2 or 3 nuts to extend nozzle.



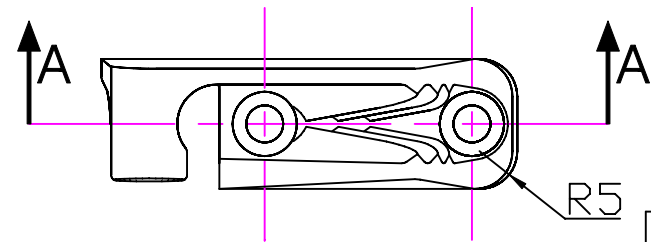
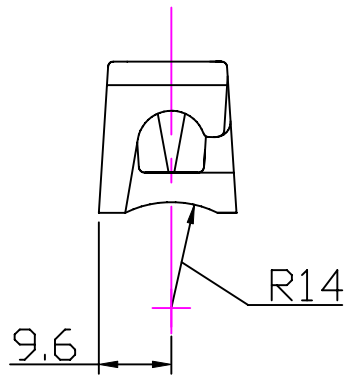
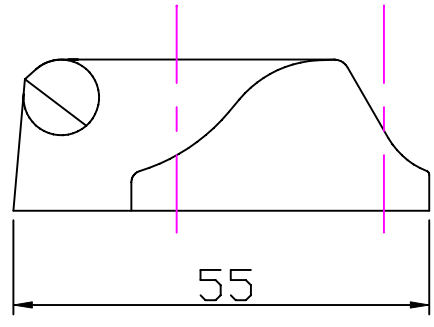
Extended nozzle is best
Consult rivet gun supplier.



Section 'AA'



2 Holes $\text{Ø}4.9$
countersunk $\text{Ø}8.5 \times 90^\circ$



Clamcleat®
Rope cleats

Clamcleats Limited
Watchmead
Welwyn Garden City
Hertfordshire AL7 1AP
England

Telephone +44 (0)1707 330101
Fax +44 (0)1707 321269
<http://www.clamcleat-rope-cleats.com>

Scale 1:1
All dimensions in mm.

Issue: 4. May 2006
ID2182.dwg

Material:
Diecast Aluminium

Installation Drawing for:-
CL218 Mk2
Side Entry Mk2
(Port)