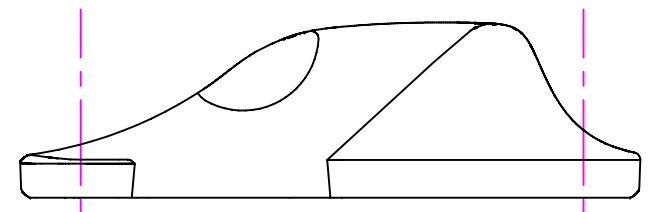
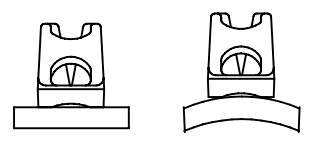
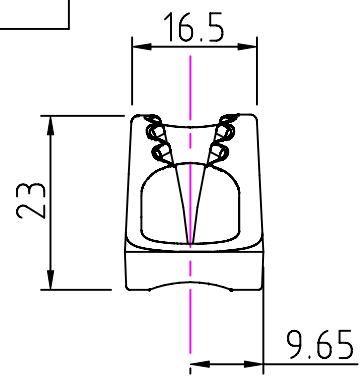


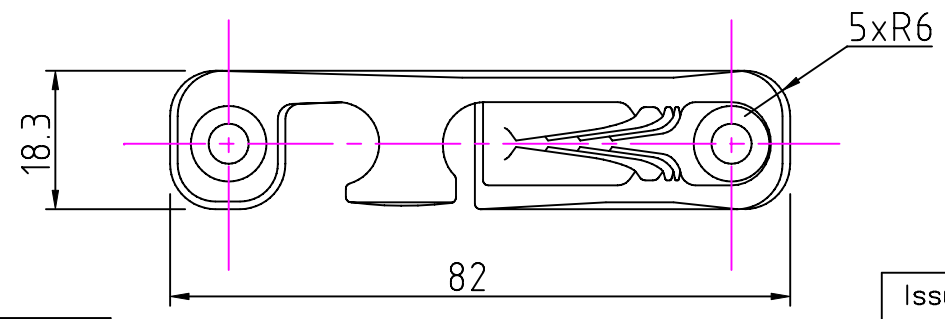
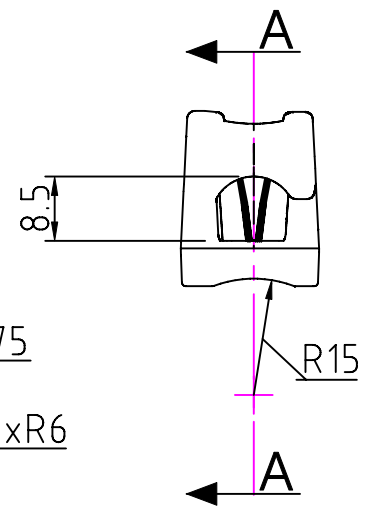
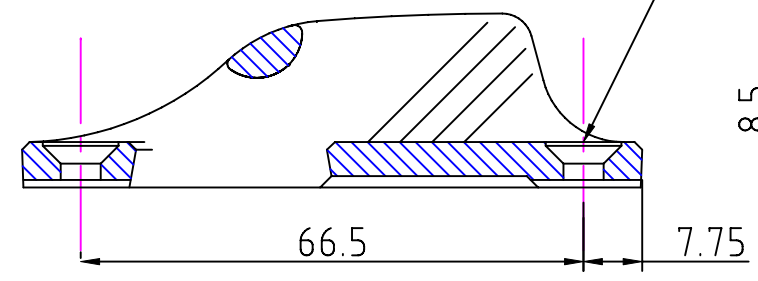
Notes: -
 For marine applications, use a silicone sealant or a bedding compound to avoid electrolytic action between the cleat and metal fastenings.



2 Holes ϕ 5.3
 countersunk ϕ 10x90°



Section 'AA'



Issue: 2. Nov 2006
 ID2181.dwg

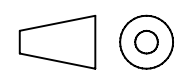
Material:
 Diecast Aluminium

Installation Drawing for: -
CL218 Mk 1.
 Side Entry Mk 1
 (Port)



Clamcleats Limited
 Watchmead
 Welwyn Garden City
 Hertfordshire AL7 1AP
 England

Telephone +44 (0)1707 330101
 Fax +44 (0)1707 321269
<http://www.clamcleat-rope-cleats.com>



Scale 1:1
 All dimensions in mm.