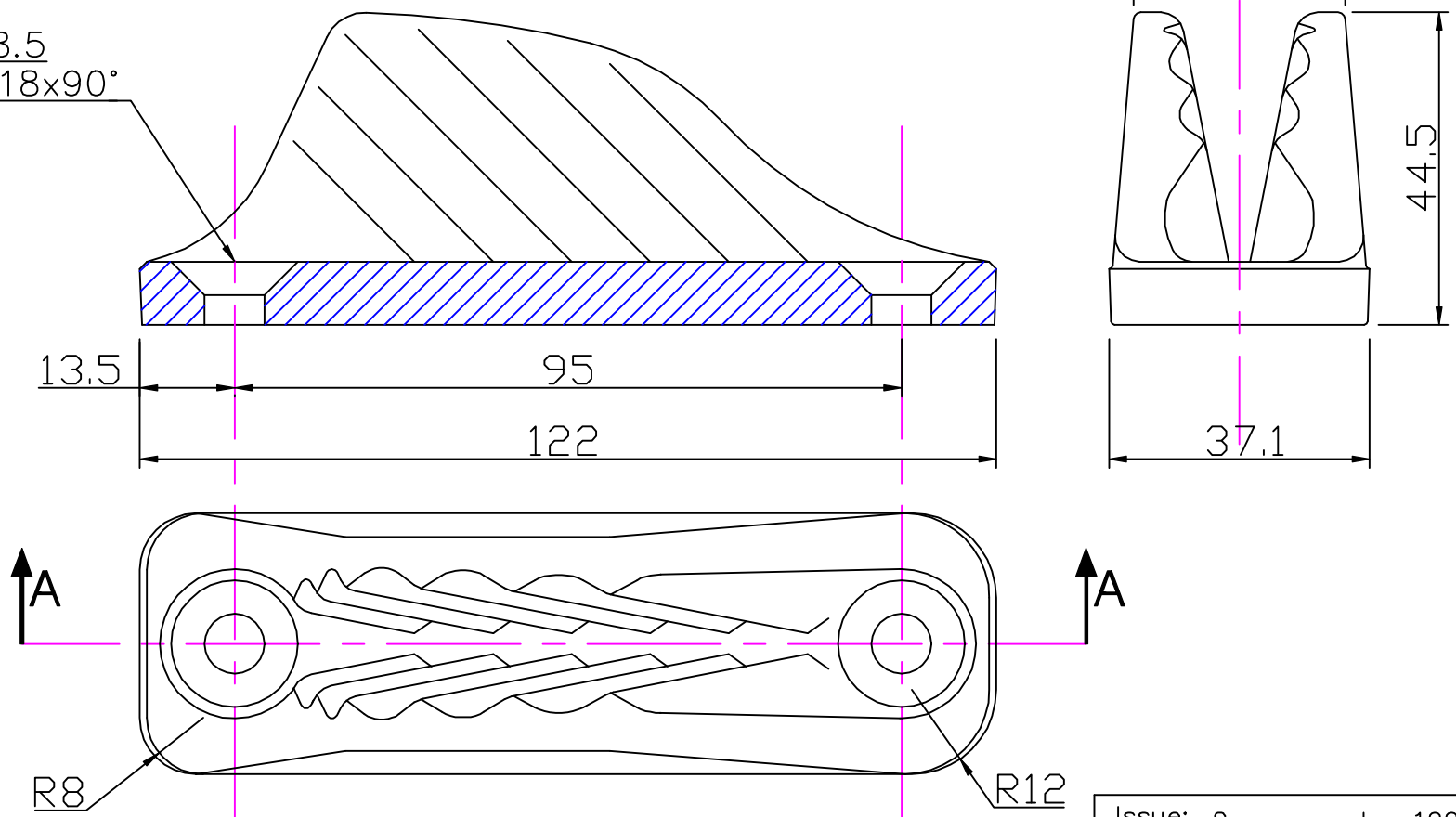


M8 8mm $\varnothing 10-16\text{mm}$
 5/16" No.16 3/8" - 5/8"

Section 'AA'

2 Holes $\varnothing 8.5$
 countersunk $\varnothing 18 \times 90^\circ$



Clamcleat®
 Rope cleats

Clamcleats Limited
 Watchmead
 Welwyn Garden City
 Hertfordshire AL7 1AP
 England

Telephone +44 (0)1707 330101
 Fax +44 (0)1707 321269
<http://www.clamcleat-rope-cleats.com>

Scale 1:1
 All dimensions in mm.

Issue: 2.	Jan 1999
ID205.dwg	
Material:	Nylon
Installation Drawing for:-	
CL205	
Major	